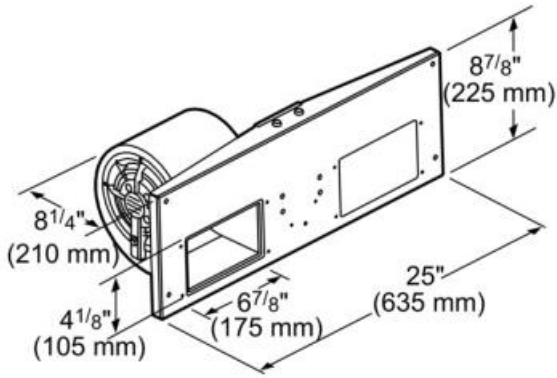




Design

- Integrated blower can be purchased separately and installed within the hood
- Always refer to installation manual for detailed instructions



measurements in inches and mm

Frequency (Hz)	60; 50
Approval certificates	CSA, UL
Plug type	120V-3 prong
Net weight (lbs)	13
Gross weight (lbs)	16
Motor location	N/A
Diameter of air duct (in) top	10
Discharge direction	vertical
Operating mode	Ducted