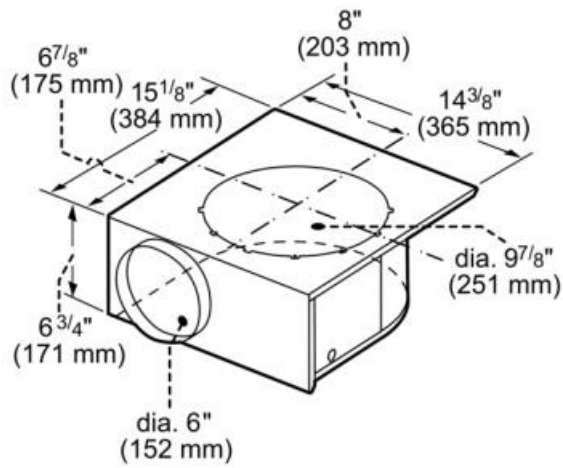




Design

- Internal Blowers are installed under the countertop with the downdraft
- Always refer to installation manual for detailed instructions



measurements in inches and mm

Alternative colors available	NOT_SHOWN
Frequency (Hz)	60
Approval certificates	CSA, UL
Plug type	120V-3 prong
Net weight (lbs)	10
Gross weight (lbs)	18
Motor location	External motor
Discharge direction	vertical
Operating mode	Ducted