

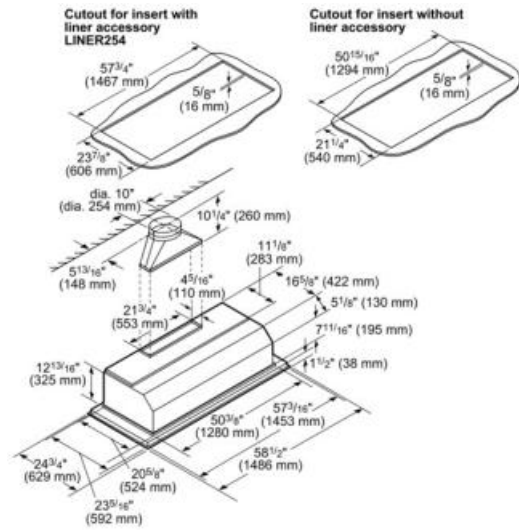


Performance

- Suitable for wall or island applications
- Three fan speeds
- Auto function senses heat from the cooking surface and adjusts fan speeds
- Built-in 'Clean Filter' reminder light illuminates after 40 hours of operation
- Delayed shut off tackles lingering odors for up to 10 minutes
- Dishwasher-safe stainless steel baffle filters
- Filter systems are highly efficient at capturing grease
- Deep capture area allows for efficient capture of smoke and steam
- Powerfully Quiet® ventilation systems
- 10" duct outlet
- Vertical ducting direction

Design

- A unique all in one box solution that includes the hood, a 1,000 CFM blower, liner, baffle filters, lights, transition, and a back-draft damper.
- Halogen lighting spotlights your best recipes
- Remote control accessory
- Thermador Professional Series Custom Hood Inserts within custom hood applications create a seamless design with wall or island hood applications.



Amps (A)	15
Frequency (Hz)	60; 50-60; 50
Approval certificates	CSA
Plug type	fixed connection
Net weight (lbs)	109
Gross weight (lbs)	122
Required distance above range/rangetop/cooktop	30"/30
Motor location	Integrated motor in hood body
Diameter of air duct (in) top	10
Operating mode	Ducted
Delay shut off modes	10
Optional accessories	LINER254, VCI2REMKS
Number of lights	4
Type of lamps used	Halogen
Total power of the lamps (W)	40; 40
Grease filter material	Washable stainless steel