

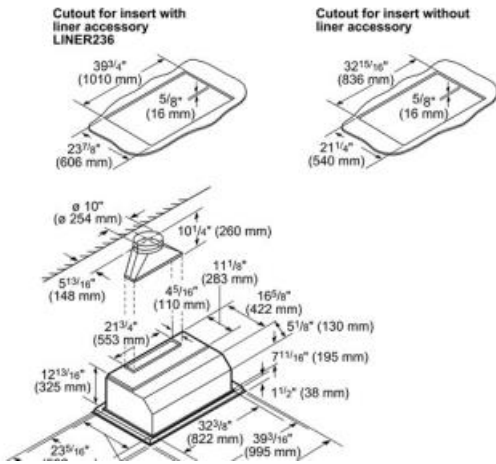


### **Performance**

- Suitable for wall or island applications
- Three fan speeds
- Auto function senses heat from the cooking surface and adjusts fan speeds
- Built-in 'Clean Filter' reminder light illuminates after 40 hours of operation
- Delayed shut off tackles lingering odors for up to 10 minutes
- Dishwasher-safe stainless steel baffle filters
- Filter systems are highly efficient at capturing grease
- Deep capture area allows for efficient capture of smoke and steam
- Powerfully Quiet® ventilation systems
- 10" duct outlet
- Vertical ducting direction

### **Design**

- A unique all in one box solution that includes the hood, a 1,000 CFM blower, liner, baffle filters, lights, transition, and a back-draft damper.
- Halogen lighting spotlights your best recipes
- Remote control accessory
- Thermador Professional Series Custom Hood Inserts within custom hood applications create a seamless design with wall or island hood applications.



Amps (A)	15
Frequency (Hz)	60
Approval certificates	CSA
Plug type	fixed connection
Net weight (lbs)	85
Gross weight (lbs)	96
Required distance above range/rangetop/cooktop	30"/30"
Motor location	Integrated motor in hood body
Diameter of air duct (in) top	10
Operating mode	Ducted
Delay shut off modes	10M
Optional accessories	LINER236, VCI2REMKS
Number of lights	2
Type of lamps used	Halogen
Total power of the lamps (W)	40; 40
Grease filter material	Washable stainless steel