

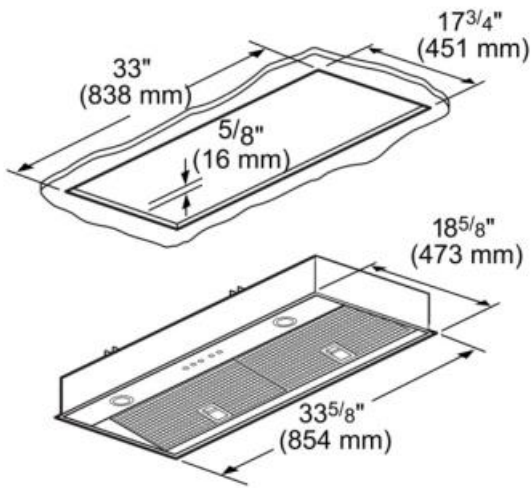


### **Performance**

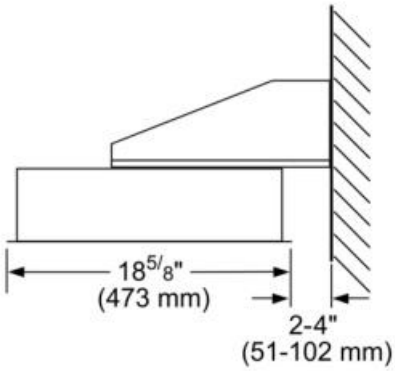
- Suitable for wall or island applications
- Three fan speeds
- Delayed shut off tackles lingering odors for up to 10 minutes
- Built-in 'Clean Filter' reminder light illuminates after 40 hours of operation
- Dishwasher safe aluminum mesh filters
- Filter systems are highly efficient at capturing grease
- Deep capture area allows for efficient capture of smoke and steam
- Powerfully quiet ventilation systems
- 10" Round duct size
- Vertical ducting direction
- Blowers sold separately
- Choose from Inline, Remote or Integrated Blowers
- Accessories include: Liner, Remote Control and Stainless Steel Baffle Filters

### **Design**

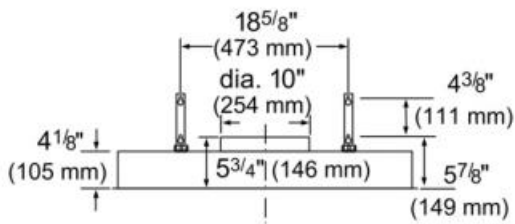
- Halogen lighting spotlights your best recipes
- Stainless steel button controls



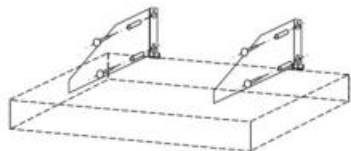
measurements in inches and mm



measurements in inches and mm



measurements in inches and mm



|  |   |
|--|---|
| Frequency (Hz)                                 | 60  |
| Approval certificates                          | ETL, UL   |
| Plug type                                      | 120V-3 prong  |
| Net weight (lbs)                               | 27  |
| Gross weight (lbs)                             | 30  |
| Required distance above range/rangetop/cooktop | 30"/30"   |
| Motor location                                 | without motor   |
| Diameter of air duct (in) top                  | 10  |
| Operating mode                                 | Ducted  |
| Delay shut off modes                           | 10  |
| Optional accessories                           | BAFFLT36, EXTNCB25, LINER36, RFPLT1000, RFPLT600, VCI2REMFS |
| Number of lights                               | 2   |
| Type of lamps used                             | Halogen   |
| Total power of the lamps (W)                   | 40  |
| Grease filter material                         | Washable aluminium  |
| Grease filter type                             | Multilayer cassette   |