

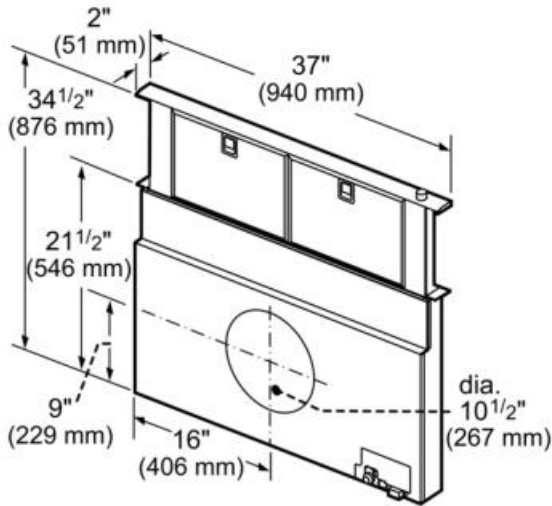


### **Performance**

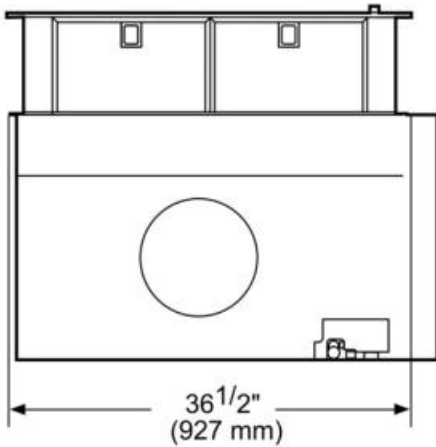
- Suitable for wall or island applications
- Downdraft rises over 13" to capture steam from the tallest pots
- Downdraft recirculation possible with module RECIRC36DF
- Three fan speeds
- Dishwasher safe full-face filters also act as a splatter shield
- Filter systems are highly efficient at capturing grease
- Powerfully quiet ventilation systems
- Blowers sold separately
- Choose from Inline, Remote or Integrated Blowers
- Replacement charcoal filters available (CHFILT3036)

### **Design**

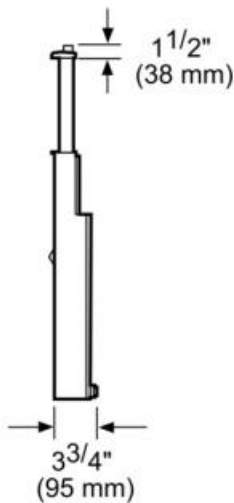
- Brushed stainless steel finish
- Easy to operate control buttons



measurements in inches and mm



measurements in inches and mm



measurements in inches and mm

Amps (A)	10
Frequency (Hz)	60
Approval certificates	CSA, UL
Plug type	120V-3 prong
Vertical rise height (in)	13"
Net weight (lbs)	42
Gross weight (lbs)	47
Motor location	External motor
Diameter of air duct (in) back	10
Operating mode	Convertible: Ducted / Recirculating
Required accessories	Blower
Optional accessories	EXTNCB25, RECIRC36DF, RFPLT1000, RFPLT600
Grease filter material	Washable synthetic
Grease filter type	Multilayer cassette