

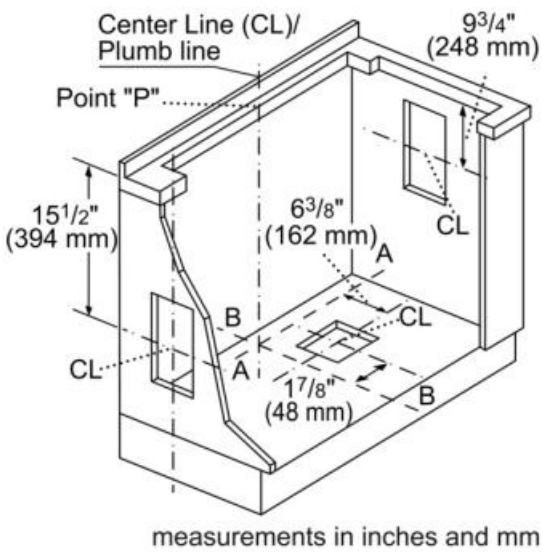
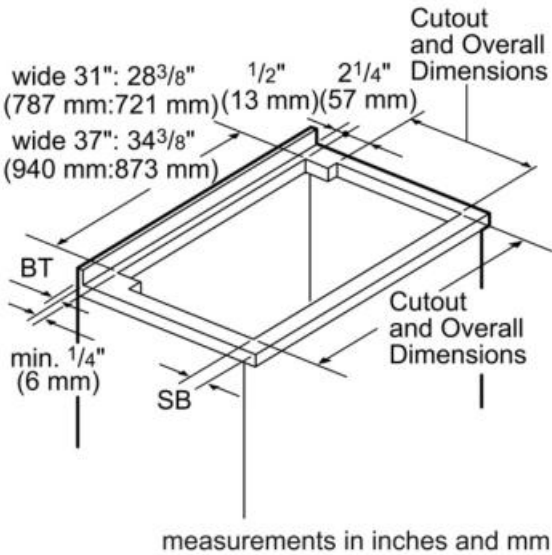
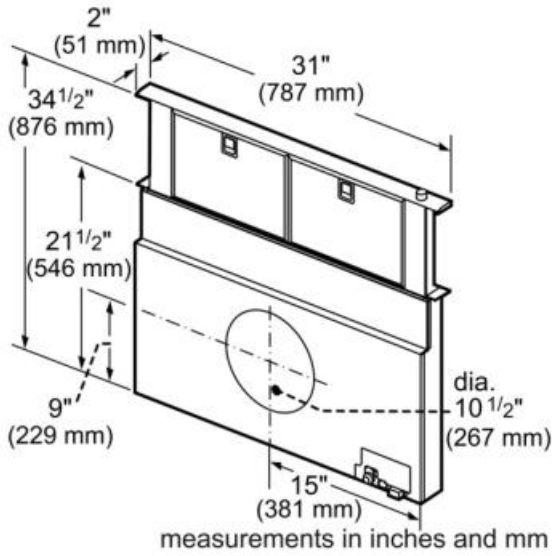


Performance

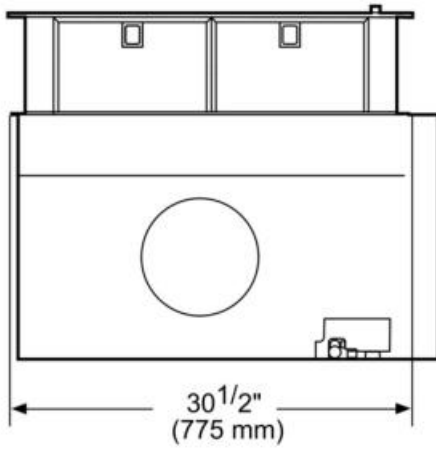
- Suitable for wall or island applications
- Downdraft rises over 13" to capture steam from the tallest pots
- Downdraft recirculation possible with module RECIRC36DF
- Three fan speeds
- Dishwasher safe full-face filters also act as a splatter shield
- Filter systems are highly efficient at capturing grease
- Powerfully quiet ventilation systems
- Blowers sold separately
- Choose from Inline, Remote or Integrated Blowers
- Replacement charcoal filters available (CHFILT3036)

Design

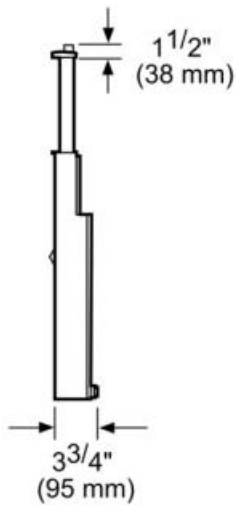
- Brushed stainless steel finish
- Easy to operate control buttons



Amps (A)	10
Frequency (Hz)	60
Approval certificates	CSA, UL
Plug type	120V-3 prong
Vertical rise height (in)	13"
Net weight (lbs)	37
Gross weight (lbs)	41
Motor location	External motor
Diameter of air duct (in) back	10
Operating mode	Convertible: Ducted / Recirculating
Required accessories	Blower
Optional accessories	EXTNCB25, RECIRC36DF, RFPLT1000, RFPLT600
Grease filter material	Washable synthetic
Grease filter type	Multilayer cassette



measurements in inches and mm



measurements in inches and mm