

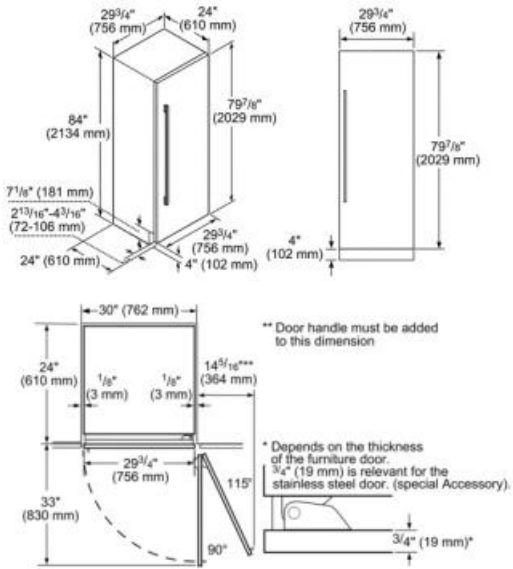


### **Design**

- FREEDOM® Hinge enables true flush design
- Full height door - True cabinet integration without exposed venting grille
- ALL LED sidewall and theater lighting
- Accepts custom or stainless steel panels
- Reversible Door Swing

### **Performance**

- Dedicated compressor and evaporator
- FreeFlow® Cold Air System - Air channel in the door ensures that items stored on the door are as cold as on the shelves
- Electronic controls for precise temperature management
- FlexTemp® Drawer optimized for fish, meat and produce
- Carbon air filter reduces odors and keeps air clean and fresh
- Full length cantilever racks for ultimate adjustability
- Full width glass shelves with metal trim
- Full extension drawers at 90° door opening angle
- Gallon door bins
- SuperCool - Chills food quickly
- Sabbath mode
- Economy mode
- Vacation mode
- Door open alarm
- ENERGY STAR® Qualified
- 17.2 Cu. Ft.



|                                      |            |
|--------------------------------------|------------|
| Amps (A)                             | 10         |
| Frequency (Hz)                       | 60         |
| Approval certificates                | ETL, ETL C |
| Net weight (lbs)                     | 332        |
| Gross weight (lbs)                   | 368        |
| Refrigerator gross capacity (cu.ft.) | 17         |
| Humidity control drawers             | Yes        |
| Number of door bins - refrigerator   | 3          |
| Reversible door hinge                | Yes        |