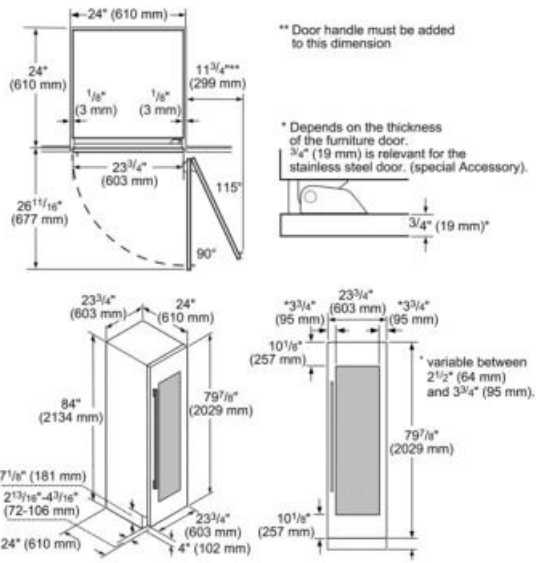




Performance

- Dual temperature and humidity wine preservation
- Isolated Motors
- Dedicated compressor and evaporator
- Electronic controls for precise temperature management
- Tempered and UV-Protective Glass Doors
- Full extension oak wine racks
- Carbon air filter reduces odors and keeps air clean and fresh
- Portable aluminum wine presenter
- Sabbath mode
- Economy mode
- Vacation mode
- Door open alarm
- 70 Bottles (750ml)



Amps (A)	15
Frequency (Hz)	60
Approval certificates	ETL, ETL C
Plug type	120V-3 prong
Net weight (lbs)	318
Reversible door hinge	Yes