

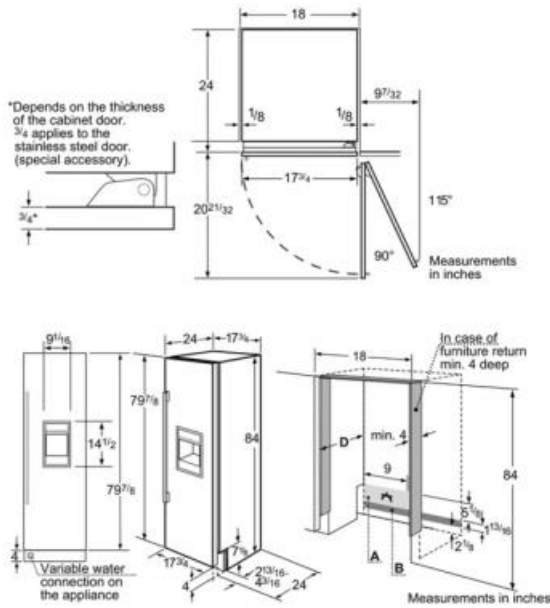


Design

- FREEDOM® Hinge enables true flush design
- Full height door - True cabinet integration without exposed venting grille
- ALL LED sidewall and theater lighting
- Accepts custom or stainless steel panels
- Right Door Swing

Performance

- Dedicated compressor and evaporator
- Electronic controls for precise temperature management
- Flush all stainless steel exterior ice and water dispenser
- LED-Illuminated Dispenser
- Oversized Dispenser Opening
- Rapid Water Replenishment System
- Chilled water, crushed and cubed ice
- FreeFlow® Ice System
- Full length cantilever racks for ultimate adjustability
- Full Width Metal Freezer Shelves
- Full extension drawers at 90° door opening angle
- Oversized Freezer Basket
- SuperFreeze - Freezes food quickly
- Sabbath mode
- Economy mode
- Vacation mode
- Door open alarm
- ENERGY STAR® Qualified
- 7.8 Cu. Ft.

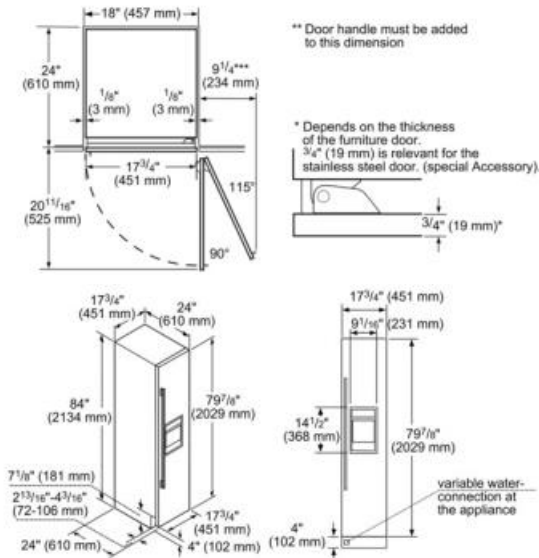


A: Area for installing the power line.

B: Area for routing the water pipe. It is recommended that the water box is placed adjacent to the installation cavity, so that it can be accessed for servicing without uninstalling the appliance. If this is not possible, place the recessed water box adjacent to the water supply connection at the heights indicated in area A+B.

D: Niche depth dependent on kitchen design.

Note: The cutout for the dispenser unit must be horizontally and vertically aligned (centered).



Amps (A)	10
Frequency (Hz)	60
Approval certificates	ETL, ETL C
Plug type	120V-3 prong
Net weight (lbs)	271
Gross weight (lbs)	300
Refrigerator gross capacity (cu.ft.)	0
Freezer gross capacity (cu.ft.)	8
Number of compressors	1
Optional accessories	FRAMEKIT10, HEATRKIT10, MS36HNDL10, PR36HNDL10, REPLFLTR10, SCRNFLTR10, TCH18ID800, TFL18ID800
Number of door bins - freezer	2
Reversible door hinge	No