

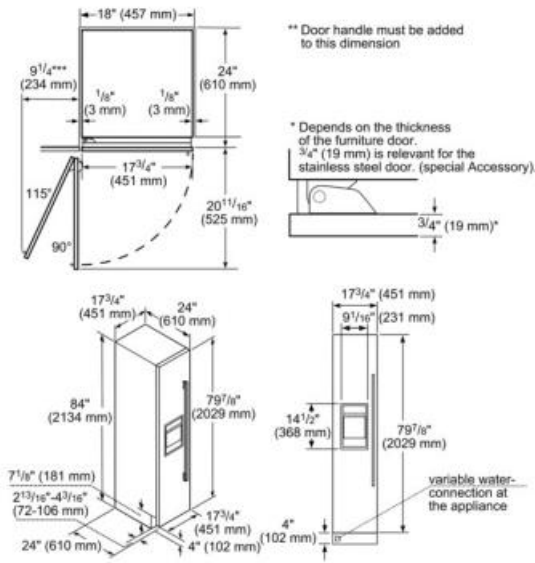


### **Design**

- FREEDOM® Hinge enables true flush design
- Full height door - True cabinet integration without exposed venting grille
- ALL LED sidewall and theater lighting
- Accepts custom or stainless steel panels
- Left Door Swing

### **Performance**

- Dedicated compressor and evaporator
- Electronic controls for precise temperature management
- Flush all stainless steel exterior ice and water dispenser
- LED-Illuminated Dispenser
- Oversized Dispenser Opening
- Rapid Water Replenishment System
- Chilled water, crushed and cubed ice
- FreeFlow® Ice System
- Full length cantilever racks for ultimate adjustability
- Full Width Metal Freezer Shelves
- Full extension drawers at 90° door opening angle
- Oversized Freezer Basket
- SuperFreeze - Freezes food quickly
- Sabbath mode
- Economy mode
- Vacation mode
- Door open alarm
- ENERGY STAR® Qualified
- 7.8 Cu. Ft.



|                                      |  |
|--------------------------------------|--|
| Amps (A)                             | 10   |
| Frequency (Hz)                       | 60   |
| Approval certificates                | ETL, ETL C   |
| Plug type                            | 120V-3 prong   |
| Net weight (lbs)                     | 278  |
| Gross weight (lbs)                   | 307  |
| Refrigerator gross capacity (cu.ft.) | 0  |
| Freezer gross capacity (cu.ft.)      | 8  |
| Number of compressors                | 1  |
| Optional accessories                 | FRAMEKIT10, HEATRKIT10, MS36HNDL10, PR36HNDL10, REPLFLTR10, SCRNFLTR10, TCH18ID800, TFL18ID800 |
| Number of door bins - freezer        | 2  |
| Number of shelves - freezer          | 2  |
| Reversible door hinge                | No   |