



INNOVATION

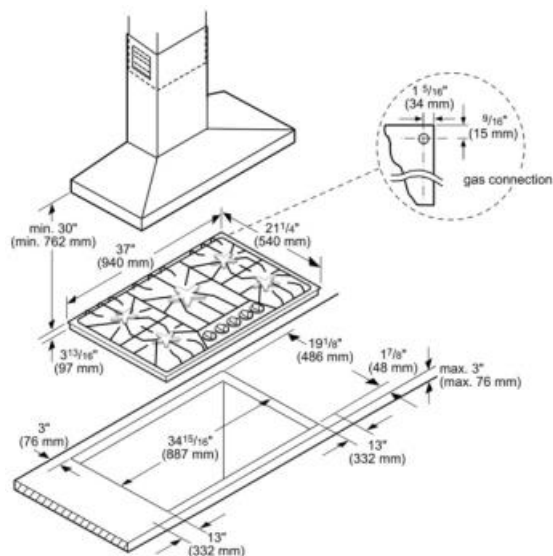
- Patented and exclusive Star® Burner provides superior performance
- Exclusive 200 BTU ExtraLow® burners for perfect simmering
- Progressive illuminated control panel with metal knobs

PERFORMANCE

- Powerful 18,000 BTU center-mounted burner
- Continuous grates allow pots and pans to glide smoothly across the cooktop
- Automatic electronic re-ignition
- Knobs feature a safety "push to turn" system
- Single point ignition - only burner that is being used is ignited

DESIGN

- Chiseled, angular design coordinates with the suite of Thermador Masterpiece™ Collection appliances
- High-grade, quality die cast metal knobs
- Sleek control panel features glass and stainless steel



Amps (A)	15
Frequency (Hz)	60
Gas type	Natural gas 15 mbar (USA)
Alternative gas type	Liquid gas 27,5 mbar (USA)
Approval certificates	CSA
Plug type	120V-3 prong
Minimum distance from counter front (in)	1 7/8"
Minimum distance from rear wall (in)	3"
Net weight (lbs)	47
Location of 1st heating element	front left
Type of grate	Cast iron
Number of double grates	2
Optional accessories	SGRIDDLEF, SNLPKITF, SWOKRINGF
Knob material	Full metal
LP Gas Connection Rating (BTU)	45200
Sealed burners	Yes
Number of single grates	1
Included accessories	3 x cast iron pan support
Location of 1st heating element	front left
Location of 2nd heating element	center left
Location of 3rd heating element	back left
Power of 3rd burner (BTU)	12000
Location of 4th heating element	middle back
Location of 5th heating element	back right
Power of 5th burner (BTU)	9100