

### **INNOVATION**

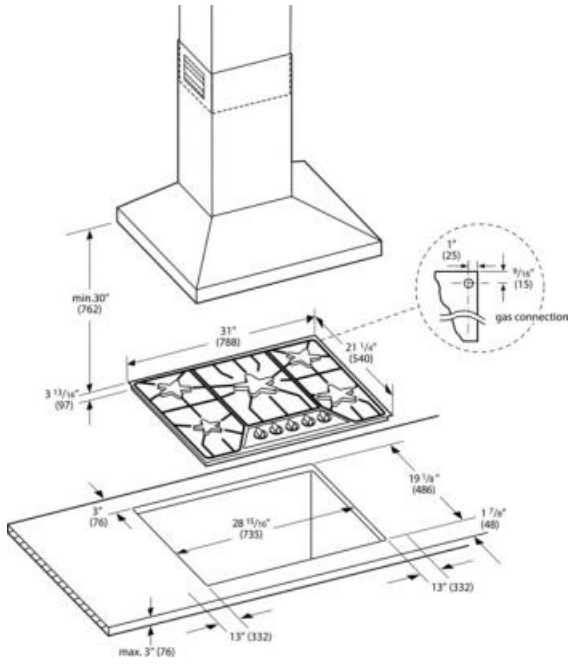
- Patented and exclusive Star® Burner provides superior performance
- Unique shape of the Star® Burner offers wider heat coverage resulting in smaller cold spots

### **PERFORMANCE**

- Powerful 16,000 BTU Burner
- Continuous grates allow pots and pans to glide smoothly across the cooktop
- Automatic electronic re-ignition
- Knobs feature a safety "push to turn" system

### **DESIGN**

- Chiseled, angular design coordinates with the suite of Thermador Masterpiece™ Collection appliances
- High-grade, quality die cast metal knobs



Gas type	Natural gas 15 mbar (USA)
Alternative gas type	Liquid gas 27,5 mbar (USA)
Amps (A)	15
Frequency (Hz)	60
Approval certificates	CSA
Plug type	120V-3 prong
Minimum distance from counter front (in)	1 7/8"
Minimum distance from rear wall (in)	3"
Net weight (lbs)	37
Knob material	Full metal
Sealed burners	Yes
Type of grate	Cast iron
Number of single grates	1
Number of double grates	2
LP Gas Connection Rating (BTU)	39200
Location of 1st heating element	front left
Power of 1st burner (BTU)	10000
Location of 2nd heating element	back left
Power of 2nd burner (BTU)	10000
Location of 3rd heating element	back right
Included accessories	3 x cast iron pan support
Power of 3rd burner (BTU)	8000
Optional accessories	SNLPKITF, SWOKRINGF
Location of 4th heating element	Cooking zone front right
Power of 4th burner (BTU)	16000