



INNOVATION

- Exclusive, patented Star® Burner – most even heating, unsurpassed flame coverage
- QuickClean Base™ designed for easy surface cleaning
- Precision simmering capabilities as low as 100°F (375 BTU) with 2 ExtraLow® Simmer burners

PERFORMANCE

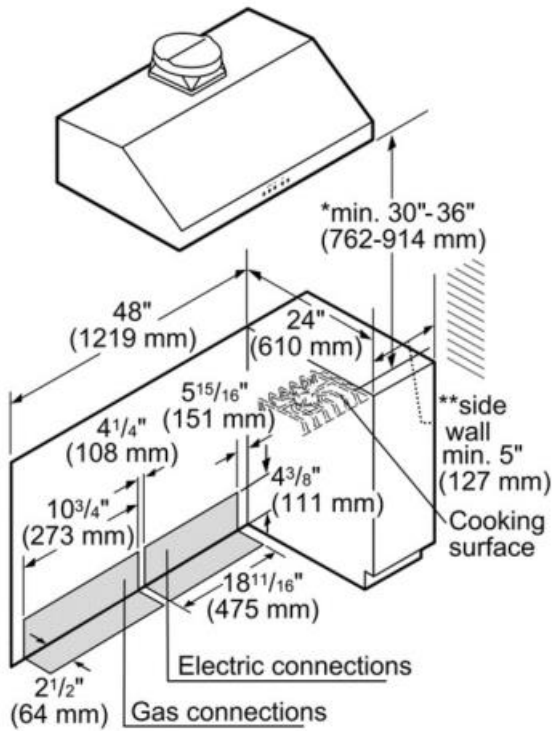
- Professional style, continuous cast iron grates
- Continuous porcelain, easy to clean cooking surface
- Every burner 18,000 BTU (NG)
- Widest range of simmer options from 375 BTU to 3,000 BTU
- Star® design delivers superior heat spread for any size pan
- Simmer without stirring/scorching with exclusive ExtraLow®
- Superior griddle results-6 pass, 1630 watt electric griddle
- Titanium surface non-stick, rust-proof cast-aluminum griddle
- Grill accessory-thermostatically controlled for even heating
- Titanium surface non-stick, rust-proof cast-aluminum grill accessory
- Removable griddle and grill accessory for easy clean-up
- Powerful, 23,500 BTU bake and 20,000 BTU broil burners
- Convection Bake offers precise multi-level baking results
- Massive oven capacity of 4.4 cu.ft. plus 2.2 cu.ft. in small oven
- Six rack levels for multiple item cooking
- Full Access® telescopic racks, integrated easy-grip

handle

- Electronic oven control ensures precise heating
- Large oven door window for maximum viewing
- Powerful halogen lighting illuminates the oven cavity
- Sabbath mode

DESIGN

- Bold Professional design
- Truly Flush Mounted™, 24" standard cabinet depth
- Patented Pedestal Star® Burner with QuickClean Base™
- Restaurant style metal knobs
- Signature blue indicator lighting
- 48" units ship standard with island trim included



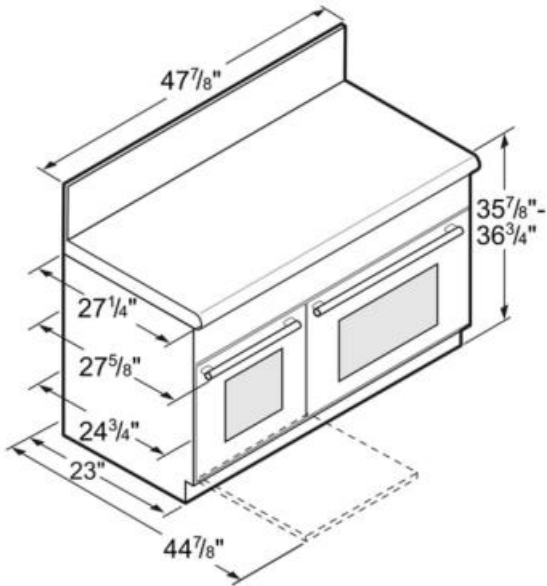
* 30" (762 mm) minimum clearance above cooking surface to non-combustible surface. Minimum clearance above cooking surface to combustible surface is 36" (914 mm).

** 5" (127 mm) minimum clearance from sides of the cooker, above the cooking surface, to combustible side walls.

Note: Most hoods contain combustible components that must be considered when planning the installation.

measurements in inches

Amps (A)	20
Frequency (Hz)	60
Gas type	Natural gas 15 mbar (USA)
Approval certificates	CSA
Temperature control	No control of the temperature
Time control	No
Location of 1st heating element	front left
Type of grate	Cast iron
Included accessories	1 x island trim, 1 x Broiler pan, 1 x broiler pan small
Location of 1st heating element	front left
Power of 1st heating element (W)	5.27
Location of 2nd heating element	center left
Location of 3rd heating element	back left
Location of 4th heating element	middle back
Location of 5th heating element	back right
Location of 6th heating element	center right



measurement in inches