



INNOVATION

- Patented Pedestal Star® Burner with QuickClean Base™ designed for easy surface cleaning and superior heat spread for any size pan
- Powerful 22,000 BTU (NG) burner (front right)
- Precision simmering capabilities as low as 100°F (375 BTU) with 4 ExtraLow® Simmer burners
- SoftClose® hinges for ultra smooth closing of the oven door
- Superfast 2-hour self-clean mode - fastest in the industry

PERFORMANCE

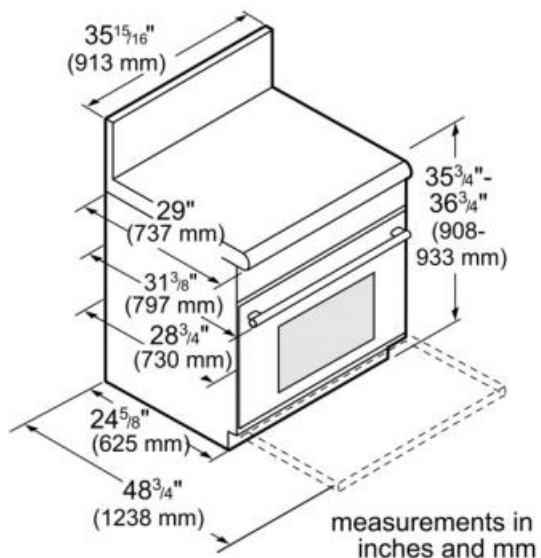
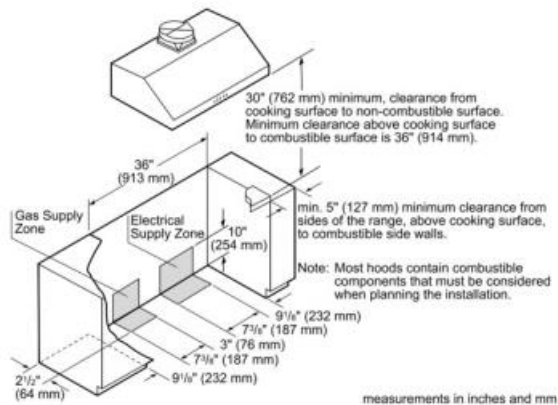
- 18,000 BTU (NG) Star® Burners
- Electronic oven display interfaces to cook timer, meat probe and preheat status with audible alert
- Powerful, 8-pass bake and broil elements
- Third Element Convection offers precise airflow for cooking on multiple levels without flavor transfer
- Large oven 5.7 cu.ft.-accommodates commercial sheet pan
- Full Access® telescopic racks, integrated easy-grip handle
- Six rack levels for multiple item cooking
- Star-K Kosher certified

DESIGN

- Bold Professional design
- Pinhole and panel lighting concepts provide functional and stylish aesthetics
- Restaurant style metal knobs
- Professional style, continuous cast iron grates
- Continuous porcelain, easy to clean cooking surface
- Large oven door window for maximum viewing
- Powerful halogen lighting illuminates the oven cavity
- Hidden bake element makes clean-up one smooth

surface

- Signature blue indicator lighting



| | |
|----------------------------------|--|
| Amps (A) | 40 |
| Frequency (Hz) | 60 |
| Gas type | Natural gas 15 mbar (USA) |
| Alternative gas type | Liquid gas 27,5 mbar (USA) |
| Approval certificates | CSA |
| Plug type | no plug |
| Net weight (lbs) | 402 |
| Gross weight (lbs) | 415 |
| Temperature control | electronic |
| Type of grate | Cast iron |
| Time control | No |
| Number of double grates | 3 |
| Knob material | Full metal |
| Sealed burners | Yes |
| Location of 1st heating element | front left |
| Power of 1st heating element (W) | 5.27 |
| Included accessories | 1 x nozzle set for liquid gas, 1 x island trim, 1 x Broiler pan, 3 x telescopic rack, 1 x temperature sensor |
| Display | blue, LCD |
| Location of 2nd heating element | center left |
| Location of 3rd heating element | back left |
| Power of 3rd burner (BTU) | 18000 |
| Location of 4th heating element | middle back |
| Location of 5th heating element | back right |
| Power of 5th burner (BTU) | 18000 |