



## INNOVATION

- Patented Pedestal Star® Burner with QuickClean Base™ designed for easy surface cleaning and superior heat spread for any size pan
- Powerful 22,000 BTU (NG) burner (front right)
- Precision simmering capabilities as low as 100°F (375 BTU) with 4 ExtraLow® Simmer burners
- SoftClose® hinges for ultra smooth closing of the oven door
- Superfast 2-hour self-clean mode - fastest in the industry

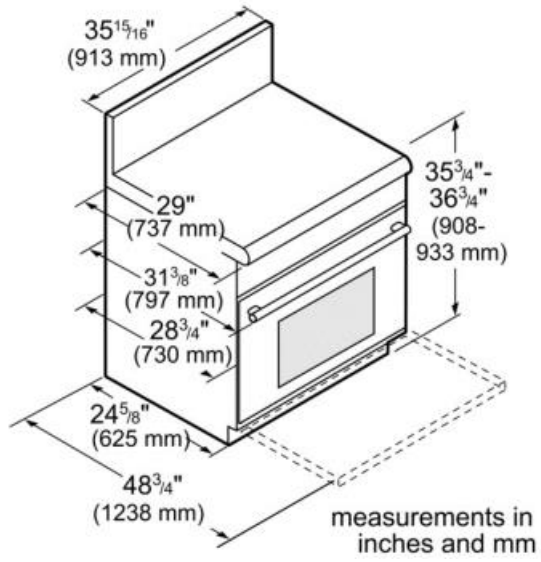
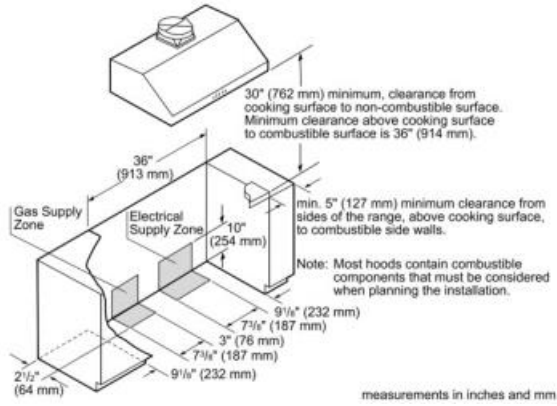
## PERFORMANCE

- 18,000 BTU (NG) Star® Burners
- Titanium surface non-stick, rust-proof cast-aluminum griddle and grill, removable for easy clean-up
- Electronic oven display interfaces to cook timer, meat probe and preheat status with audible alert
- Powerful, 8-pass bake and broil elements
- Third Element Convection offers precise airflow for cooking on multiple levels without flavor transfer
- Large oven 5.7 cu.ft.-accommodates commercial sheet pan
- Full Access® telescopic racks, integrated easy-grip handle
- Six rack levels for multiple item cooking
- Star-K Kosher certified

## DESIGN

- Bold Professional design
- Pinhole and panel lighting concepts provide functional and stylish aesthetics
- Restaurant style metal knobs
- Professional style, continuous cast iron grates
- Continuous porcelain, easy to clean cooking surface
- Large oven door window for maximum viewing

- Powerful halogen lighting illuminates the oven cavity
- Hidden bake element makes clean-up one smooth surface
- Signature blue indicator lighting



|                                  |   |
|----------------------------------|---|
| Amps (A)                         | 40  |
| Frequency (Hz)                   | 60  |
| Gas type                         | Natural gas 15 mbar (USA)   |
| Alternative gas type             | Liquid gas 27,5 mbar (USA)  |
| Approval certificates            | CSA   |
| Plug type                        | no plug   |
| Net weight (lbs)                 | 393   |
| Gross weight (lbs)               | 406   |
| Temperature control              | electronic  |
| Time control                     | No  |
| Number of double grates          | 2   |
| Knob material                    | Full metal  |
| Sealed burners                   | Yes   |
| Location of 1st heating element  | front left  |
| Power of 1st heating element (W) | 5.27  |
| Included accessories             | 1 x nozzle set for liquid gas, 1 x island trim, 1 x grill plate, 1 x Broiler pan, 3 x telescopic rack, 1 x temperature sensor |
| Power of griddle element         | 1630  |
| Location of 2nd heating element  | center left   |
| Location of 4th heating element  | middle back   |
| Location of 5th heating element  | back right  |
| Power of 5th burner (BTU)        | 18000   |