

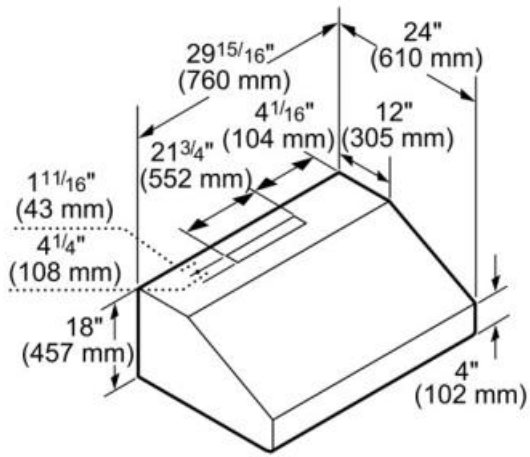


### **Performance**

- Three fan speeds
- Delayed shut off tackles lingering odors for up to 10 minutes
- Built-in 'Clean Filter' reminder light illuminates after 40 hours of operation
- Filter systems are highly efficient at capturing grease
- Dishwasher safe grease collection trays are easily removed
- Powerfully quiet ventilation systems
- Blowers sold separately
- Seven different blowers to choose from the line up according to cooking needs
- Choose from Inline, Remote or Integrated Blowers
- 10" Round duct size
- Vertical or horizontal ducting direction
- Hood includes filters, backdraft damper and transition
- Approved by CSL for damp environments

### **Design**

- 24" depth hood is 18" tall and a perfect companion with Pro Harmony Ranges and Rangetops
- Chiseled design for a seamless integration into any kitchen
- Brushed stainless steel finish
- Stainless steel control buttons
- Halogen lighting spotlights your best recipes
- Stainless steel professional style baffle filters
- Dishwasher safe stainless steel baffle filters
- Dimmer lighting - for a soft lighting effect
- Powerfully quiet ventilation systems



measurements in inches and mm

|  |   |
|--|---|
| Amps (A)                                       | 15  |
| Frequency (Hz)                                 | 60  |
| Approval certificates                          | CSA   |
| Plug type                                      | 120V-3 prong  |
| Net weight (lbs)                               | 73  |
| Gross weight (lbs)                             | 78  |
| Required distance above range/rangetop/cooktop | 30"/30"   |
| Motor location                                 | without motor   |
| Diameter of air duct (in) top                  | 10  |
| Diameter of air duct (in) back                 | 10  |
| Operating mode                                 | Ducted  |
| Delay shut off modes                           | 10M   |
| Required accessories                           | Blower  |
| Optional accessories                           | DC30US, DCT30US, EXTNCB25, KHS30QS, PA30JBS, RFPLT1000, RFPLT600, RJ310, WC10 |
| Number of lights                               | 2   |
| Type of lamps used                             | Halogen   |
| Total power of the lamps (W)                   | 40; 80  |
| Grease filter material                         | Washable stainless steel  |