



INNOVATION

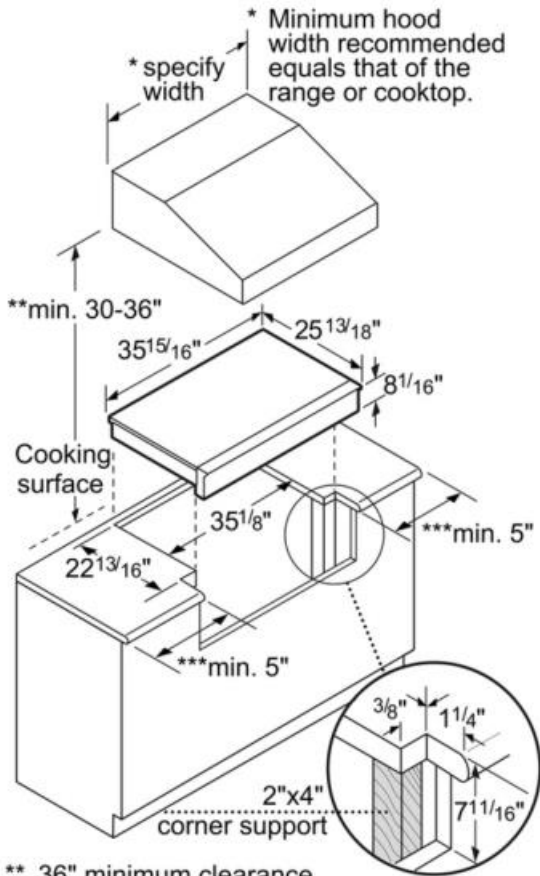
- Exclusive, patented Star® Burner – most even heating, unsurpassed flame coverage
- QuickClean Base™ designed for easy surface cleaning
- Every burner 18,000 BTU (NG)
- Precision simmering capabilities as low as 100°F (375 BTU) with 2 ExtraLow® Simmer burners

PERFORMANCE

- Professional style, continuous cast iron grates
- Continuous porcelain, easy to clean cooking surface
- Widest range of simmer options from 375 BTU to 3,000 BTU
- Star® design delivers superior heat spread for any size pan
- Simmer without stirring/scorching with exclusive ExtraLow®

DESIGN

- Bold Professional design
- Patented Pedestal Star® Burner with QuickClean Base™
- Restaurant style metal knobs
- Signature blue indicator lighting
- Island trim shipped standard with rangetop



** 36" minimum clearance from cooking surface to combustible surfaces.
 ***5" minimum clearance from cooking surface to combustible side wall.

Note: Most hoods contain combustible components that must be considered when planning the installation.

measurement in inches

Amps (A)	10
Frequency (Hz)	60
Gas type	Natural gas 15 mbar (USA)
Alternative gas type	Liquid gas 27,5 mbar (USA)
Approval certificates	CSA
Plug type	120V-3 prong
Minimum distance from rear wall (in)	12"
Net weight (lbs)	152
Location of 1st heating element	front left
Type of grate	Cast iron
Number of double grates	3
Optional accessories	PA12CHPBLK, PA36GLBC, PAGRIDDLE, PAKNOBLUNH, PALPKITHN, PWOKRINGHC
Knob material	Full metal
LP Gas Connection Rating (BTU)	90000
Sealed burners	Yes
Included accessories	1 x island trim
Location of 1st heating element	front left
Power of 1st burner (BTU)	18000
Power of 1st heating element (W)	0.1-5.27
Location of 2nd heating element	center left
Location of 3rd heating element	back left
Power of 3rd burner (BTU)	18000
Location of 4th heating element	middle back
Power of 4th burner (BTU)	18000
Location of 5th heating element	back right
Power of 5th burner (BTU)	18000
Location of 6th heating element	center right