

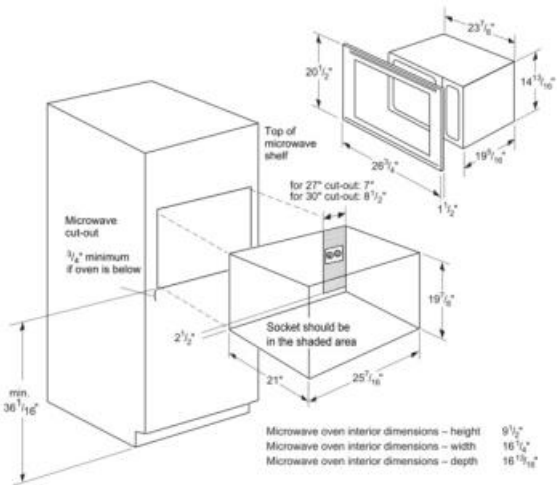
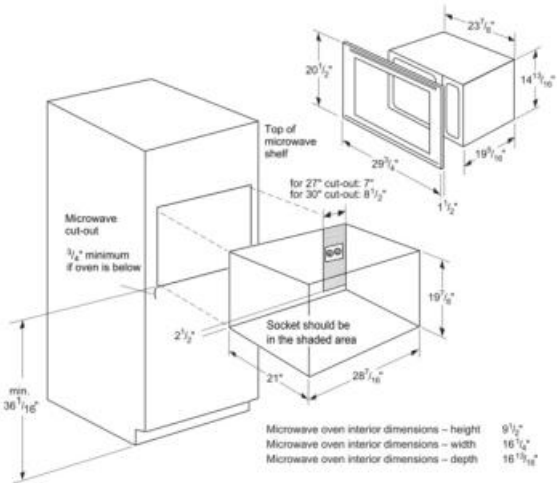


### **Performance**

- Automatic Convection Bake programs
- Innovative Microwave Inverter technology offers consistent cooking performance
- 1000 Watts Microwave power
- 10 Microwave power levels
- Sensor cooking programs measure humidity and adjust cooking level and cooking time
- Popcorn program
- Quick Defrost
- Timer offers automatic delay start mode
- Keep Warm mode
- Quick Minute conveniently adds cooking time
- 1.5 cu.ft. Stainless Steel cavity
- 15" recessed ceramic turntable

### **Design**

- Built-in Convection Microwave is the perfect companion for any Thermador Wall Oven
- Chiseled and bold Thermador design
- Available with 27" or 30" Trim Kit for a sleek built-in look
- Premium glass touch control
- Blue digital display with scrolling text



Amps (A)	18
Frequency (Hz)	60
Approval certificates	CSA, UL
Plug type	120V-3 prong
Net weight (lbs)	33
Optional accessories	MCT27ES, MCT27JS, MCT30ES, MCT30JS
Number of power levels	10
Turntable	Yes
Turntable diameter (in)	15"
Heating type	Hot Air, Microwave
Cavity material	Stainless steel
Door opening	Button
Included accessories	1 x grid high, 1 x grid flat