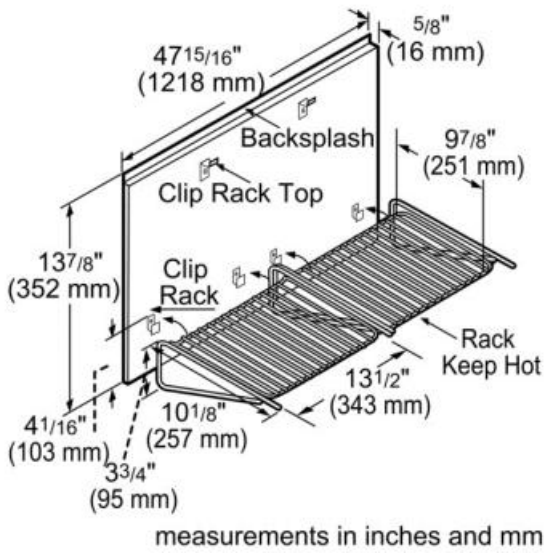




**Efficiency**

- Convenient shelf allows dishes to keep hot at serving temperature. Includes a stainless steel backguard and two shelves



Net weight (lbs)	21
Gross weight (lbs)	24