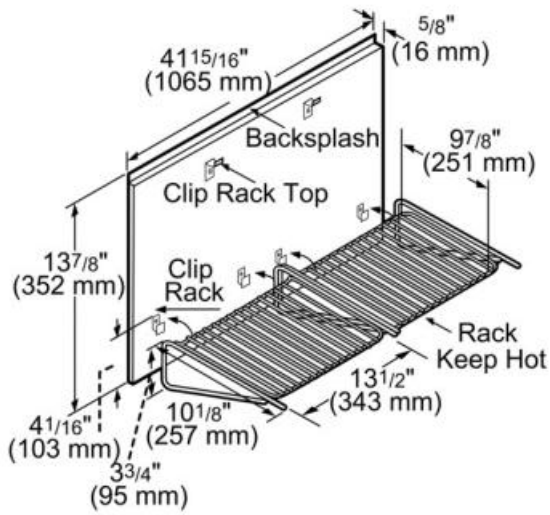




Efficiency

- Convenient shelf allows dishes to keep hot at serving temperature. Includes a stainless steel backguard and two shelves



measurements in inches and mm

Net weight (lbs)	19
Gross weight (lbs)	21