

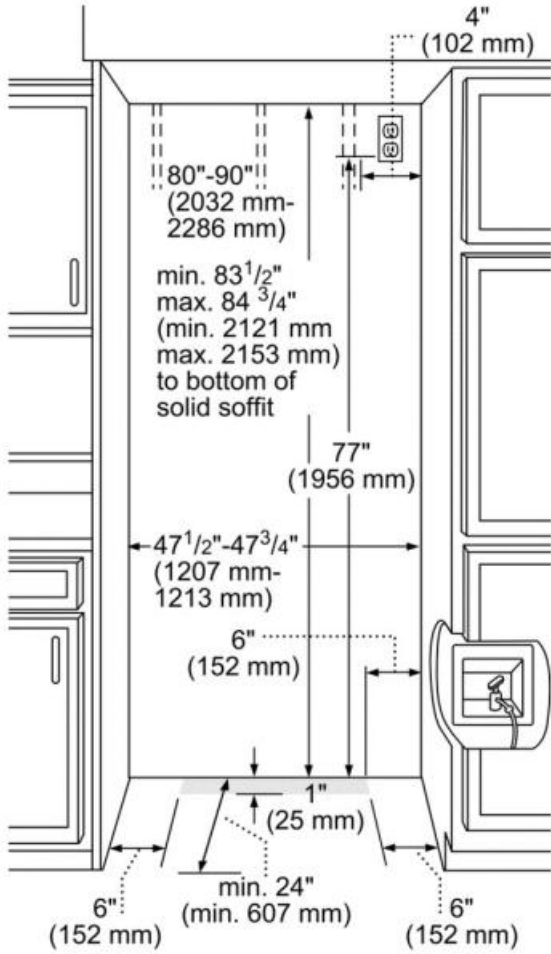


Design

- Timeless built-in stainless steel refrigerator
- Professional Handle Design

Performance

- Electronic controls for precise temperature management
- Gallon door bins
- Frameless glass shelves
- Height adjustable glass shelves
- Crisper Drawers
- All metal freezer baskets
- Adjustable temperature meat drawer
- Filtered ice-maker
- Sabbath mode
- Rapid-chill freezer shelf



Frequency (Hz)	60
Approval certificates	CSA, UL
Energy consumption (kWh/yr)	579.99
Net weight (lbs)	553
Gross weight (lbs)	613
Refrigerator gross capacity (cu.ft.)	19
Reversible door hinge	No

