

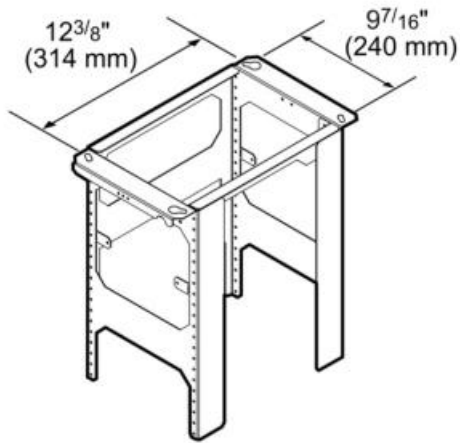
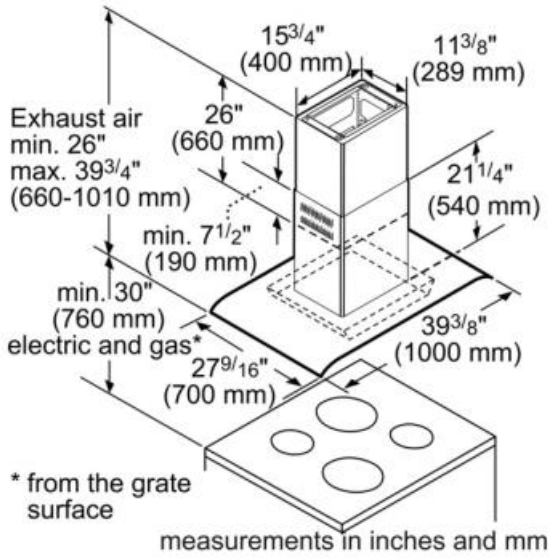


Performance

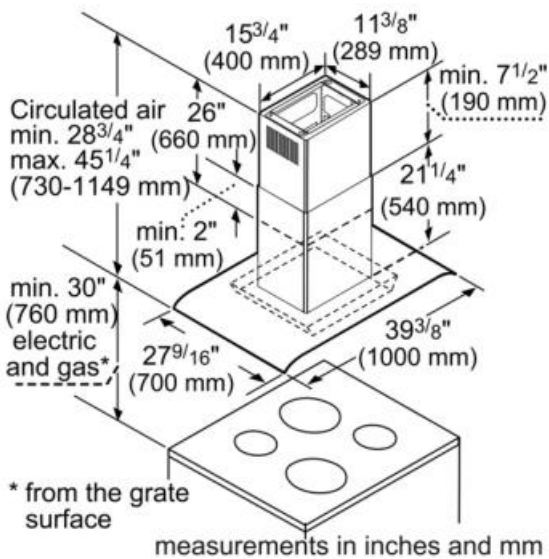
- 600 CFM Integrated Blower included
- An ideal solution for island cooktop installations
- Four fan speeds including one intensive level
- Built-in 'Clean Filter' reminder light illuminates after 40 hours of operation
- Delayed shut off tackles lingering odors for up to 10 minutes
- Dimmer lighting – for a soft lighting effect completely adjustable by user
- Dishwasher safe stainless steel mesh filters
- Filter systems are highly efficient at capturing grease
- Easy to operate control buttons
- Powerfully quiet ventilation systems
- Perfect fit for 30" & 36" cooktops
- 6" Round duct size
- Vertical ducting direction

Design

- Stunning combination of glass and stainless steel with Masterpiece® design elements
- Chiseled design for a seamless integration into any kitchen
- Halogen lighting spotlights your best recipes
- Brushed stainless steel finish
- Premium electronic touch controls



measurements in inches and mm



Amps (A)	5
Frequency (Hz)	60
Approval certificates	ETL
Plug type	120V-3 prong
Height of the chimney (in)	28 3/8" - 39 7/16"
Net weight (lbs)	87
Gross weight (lbs)	108
Required distance above range/rangetop/cooktop	30"/30"
Motor location	Integrated motor in hood chimney
Diameter of air duct (in) top	6
Operating mode	Convertible: Ducted / Recirculating
Delay shut off modes	10
Optional accessories	CHFILISL, RECIRISL
Number of lights	4
Type of lamps used	Halogen
Total power of the lamps (W)	80
Grease filter material	Washable synthetic
Grease filter type	Multilayer cassette