

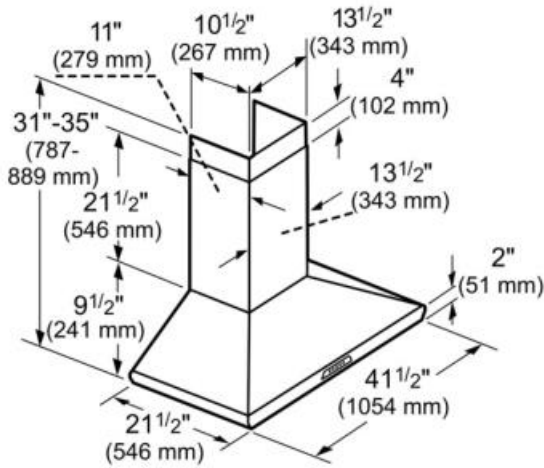


Performance

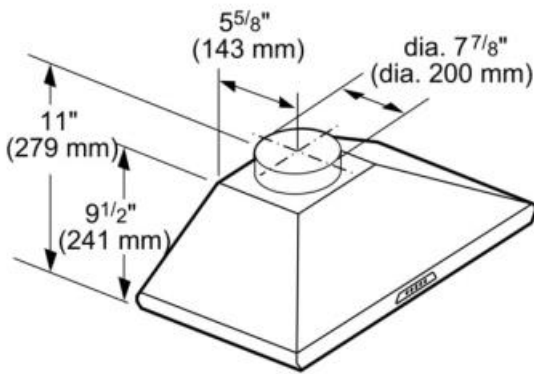
- Three fan speeds plus 10 minute high-power operation mode
- Built-in 'Clean Filter' reminder light illuminates after 40 hours of operation
- Delayed shut off tackles lingering odors for up to 10 minutes
- Dimmer lighting - for those hours after a late meal
- Dishwasher safe stainless-frame mesh filters
- Filter systems are highly efficient at capturing grease
- Powerfully quiet ventilation systems
- 8" Round duct size
- Vertical ducting direction
- Blowers sold separately
- Choose from Inline, Remote or Integrated Blowers
- Telescopic chimney - adjustable at installation

Design

- Brushed stainless steel finish
- Welded, polished seams for a flawless design
- Premium electronic touch controls
- Halogen lighting spotlights your best recipes



measurements in inches and mm



measurements in inches and mm

Frequency (Hz)	60
Approval certificates	ETL
Plug type	120V-3 prong
Net weight (lbs)	44
Gross weight (lbs)	56
Required distance above range/rangetop/cooktop	30"/30"
Motor location	External motor
Diameter of air duct (in) top	8
Operating mode	Ducted
Optional accessories	CHIMXHMC, RFPLT1000, RFPLT600
Number of lights	3
Type of lamps used	Halogen
Total power of the lamps (W)	60
Grease filter material	Washable aluminium
Grease filter type	Multilayer cassette