

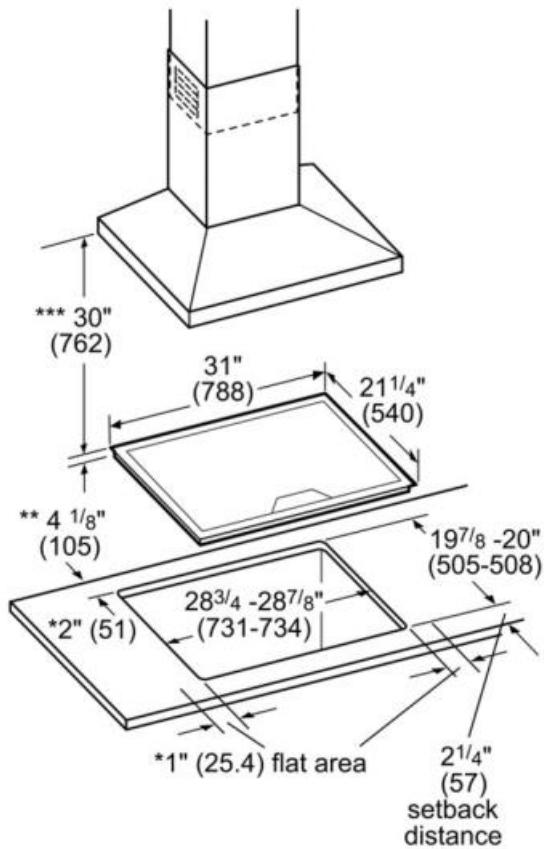


PERFORMANCE

- Speed Heating - Induction cooktops heat 50% faster than traditional gas cooktops
- Large and powerful 11" element with 3600W
- Our Induction PowerBoost™ feature heats cookware faster than any other type of cooking technology.
- Auto Shut Off Timer available for all elements enables user to set desired cooking times. Separate kitchen timer also available.
- Keep Warm function - allows meals to remain ready to serve
- Pan Recognition - Element will not turn on if other small objects are placed on the cooking zone
- Anti-Overflow System - exclusive feature shutting off the relevant element and sounding alarm when liquids are detected on user interface
- 2-step digital control panel indicates when elements are hot or very hot
- Child Safety Lock

DESIGN

- Touch control panel with blue light illumination offers 17 power settings
- Chiseled, angular design coordinates with the suite of Thermador Masterpiece® Collection appliances
- Trapezoid design control panel



- * Minimum distance from cutout to the wall
- ** Installed depth includes 1" (26 mm) needed air gap
- *** Minimum distance between the cooktop surface and lower edge of exhaust hood

measurements in inches (mm in brackets)

Amps (A)	40
Frequency (Hz)	60; 50
Approval certificates	CSA
Plug type	no plug
Minimum distance from counter front (in)	2 1/2"
Minimum distance from rear wall (in)	2 3/8"
Net weight (lbs)	39
Optional accessories	SENSORPOT6, SENSORPOT7, SENSORPOTH
Sealed burners	No
Location of 1st heating element	front left
Location of 1st heating element	front left
Dimension of 1st heating element (in)	9"
Power of 1st heating element (W)	2.2
Location of 2nd heating element	center left
Location of 3rd heating element	back left
Dimension of 3rd heating element (in)	6"
Power of 3rd heating element (W)	1.4
Power of 3rd heating element (kW in boost)	[1.8]
Location of 4th heating element	middle back
Location of 5th heating element	back right
Dimension of 5th heating element (in)	11"
Power of 5th heating element (W)	2.4
Power of 5th heating element (kW in boost)	[3.6]
Location of 6th heating element	center right