

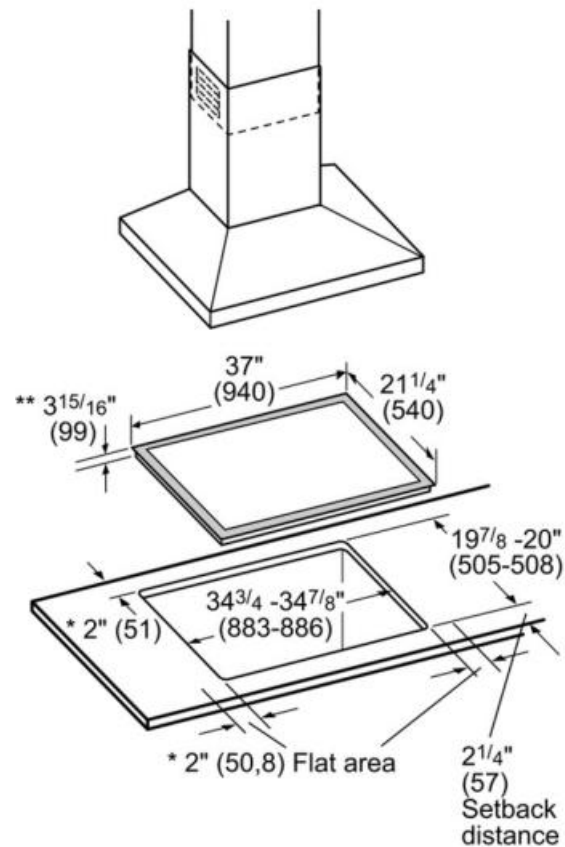


Performance

- Dual element offers the capability to use multiple pan sizes
- 2-level digital control panel indicates when elements are still hot

Design

- Heavy-duty, high quality metal knobs
- Full stainless steel frame
- Trapezoid design control panel



* Minimum distance from cutout to the wall
 ** Installed depth

Measurements in inches (mm in brackets)

Amps (A)	40
Frequency (Hz)	60
Approval certificates	CSA
Plug type	no plug
Minimum distance from counter front (in)	2 1/4"
Minimum distance from rear wall (in)	2 3/4"
Net weight (lbs)	29
Sealed burners	No
Included accessories	1 x glass scraper
Location of 1st heating element	front left
Dimension of 1st heating element (in)	5"; 8"
Power of 1st heating element (W)	2.2 ; 0.75
Location of 2nd heating element	back left
Dimension of 2nd heating element (in)	6"
Power of 2nd heating element (W)	1.2
Location of 3rd heating element	middle back
Dimension of 3rd heating element (in)	6", 9"
Power of 3rd heating element (W)	1.1 ; 2.5
Location of 4th heating element	back right
Dimension of 4th heating element (in)	7"
Power of 4th heating element (W)	1.8
Location of 5th heating element	front right
Dimension of 5th heating element (in)	7"
Power of 5th heating element (W)	1.8