

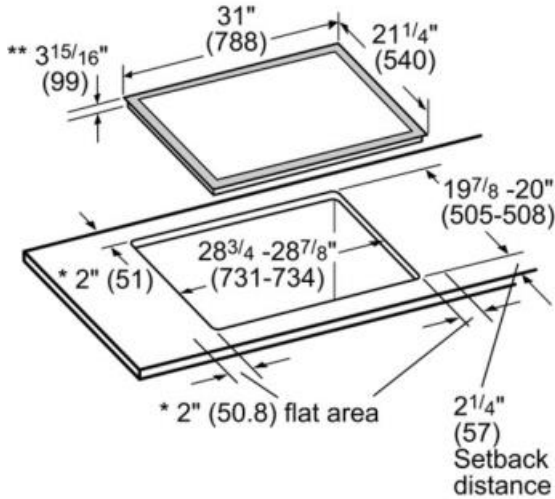
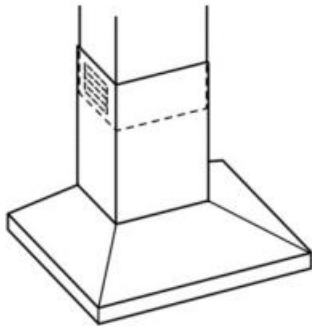


Performance

- Dual element offers the capability to use multiple pan sizes
- 2-level digital control panel indicates when elements are still hot

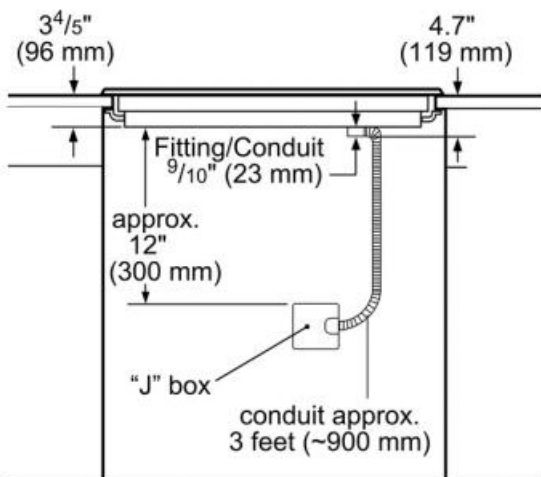
Design

- Trapezoid design control panel
- Heavy-duty, high quality metal knobs
- Full stainless steel frame
- Chiseled, angular design coordinates with the suite of Thermador Masterpiece® Collection appliances



- * Minimum distance from cutout to the wall
- ** Installed depth

Measurements in inches (mm in brackets)



measurement in inches (mm)

Amps (A)	40/30
Frequency (Hz)	60
Approval certificates	CSA
Plug type	no plug
Minimum distance from counter front (in)	2 1/4"
Minimum distance from rear wall (in)	2 3/4"
Net weight (lbs)	26
Sealed burners	No
Location of 1st heating element	front left
Location of 1st heating element	front left
Dimension of 1st heating element (in)	6"
Power of 1st heating element (W)	1.2
Included accessories	1 x glass scraper
Location of 2nd heating element	center left
Location of 3rd heating element	back left
Dimension of 3rd heating element (in)	6" ; 9"
Power of 3rd heating element (W)	1.3 ; 3.1
Location of 4th heating element	middle back
Location of 5th heating element	back right
Dimension of 5th heating element (in)	8" ; 5"
Power of 5th heating element (W)	0.75 ; 2.2
Location of 6th heating element	center right